

# P 161609



Sample image

**Order symbol :** P 161609

**Product nr :** 7094280

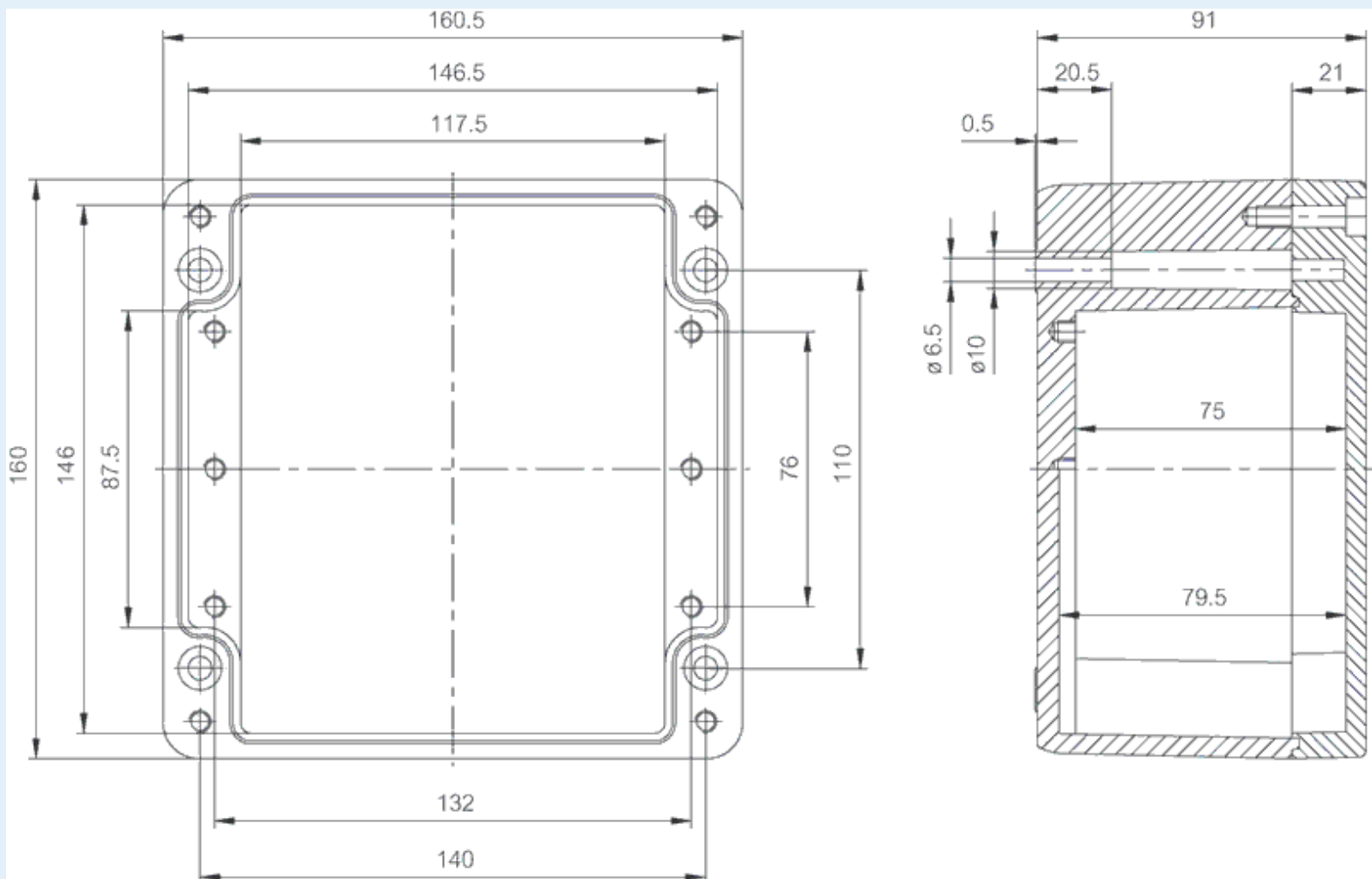
**Description :** Enclosure, polyester

**Remarks :** Grey cover

**EAN :** 6418074004390

**El. number :**

- Finland : 3423664
- Denmark : 8212005662
- Sweden : 2536221



**Dimensions :**

|        | Height | Width | Depth |
|--------|--------|-------|-------|
| mm :   | 160    | 160   | 90    |
| inch : | 6.3    | 6.3   | 3.54  |

**Materials :**

|                   |                                  |
|-------------------|----------------------------------|
| Material :        | Glass Fiber Reinforced Polyester |
| Base colour :     | RAL_7036                         |
| Cover colour :    | RAL 7036                         |
| Gasket material : | Polyurethane                     |

**Temperatures :**

|                               |            |
|-------------------------------|------------|
| Temperature °C (continuous) : | -20 ... 95 |
| Temperature °F (continuous) : | -4...203°F |

**Accessories :**

|           |  |
|-----------|--|
| PM 1616   | Mounting plate, for enclosures:<br>(146 x 146 x 1.5)         |
| ARH 16    | DIN-35 Mounting rail, for enclosures:<br>(140 x 35 x 7.5)    |
| ARM 0615  | DIN-15 Mounting rail, for enclosures:<br>(140 x 15 x 5.5)    |
| MRS 28541 | Wall fastening lug (2 pcs), for enclosures:<br>(15 x 50 x 1) |

**Ratings :**

|   |                   |
|---|-------------------|
| Ingress protection (EN 60529):          | IP66;             |
| Impact Resistance (EN 62262):           | IK08;             |
| electrical_insulation :                 | Totally insulated |
| Halogen free (DIN/VDE 0472, Part 815) : | Yes               |
| UV resistance :                         | UL 746C           |
| Flammability Rating :                   | UL 94 V0          |
| Glow Wire Test (IEC 695-2-1) °C :       | 960C              |