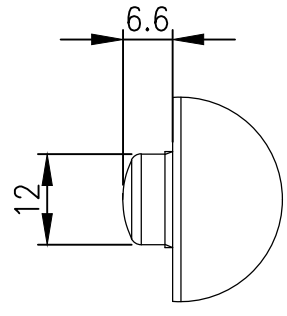
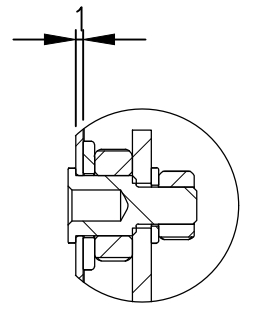


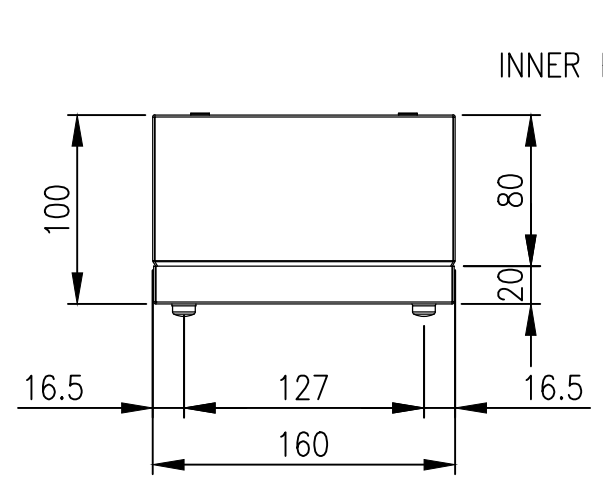
RevNo	Revision note	Date	Signature	Checked
0	GENERAL REVISION		IP	IP



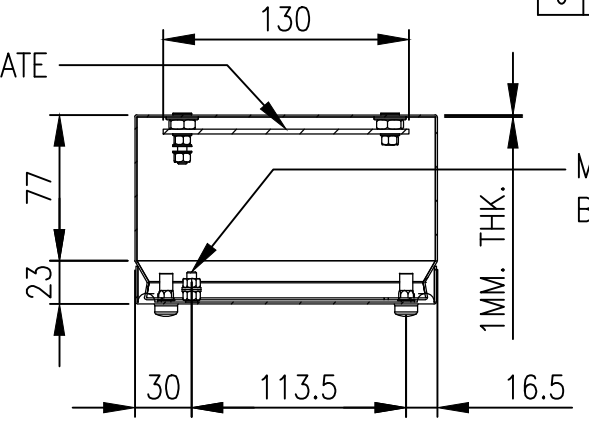
DETAIL A1



DETAIL A2

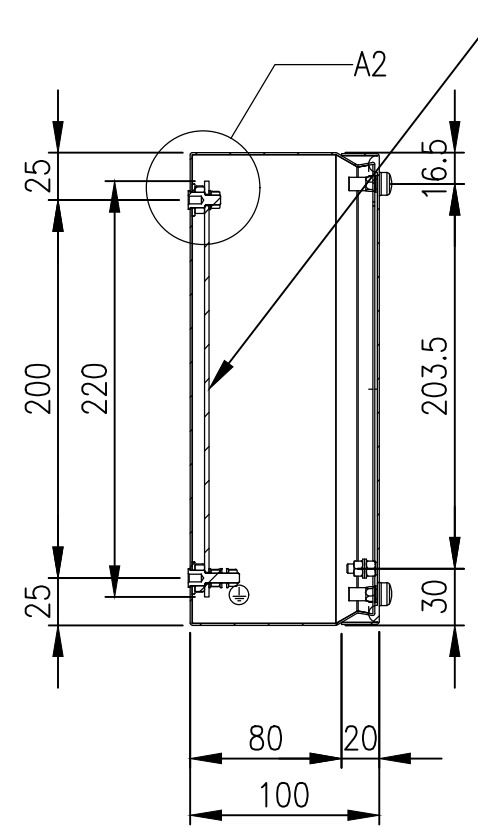


TOP VIEW

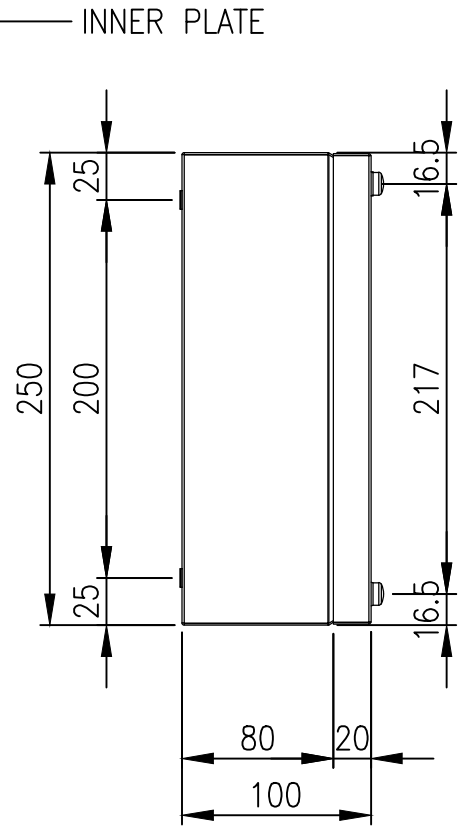


SECTION A-A

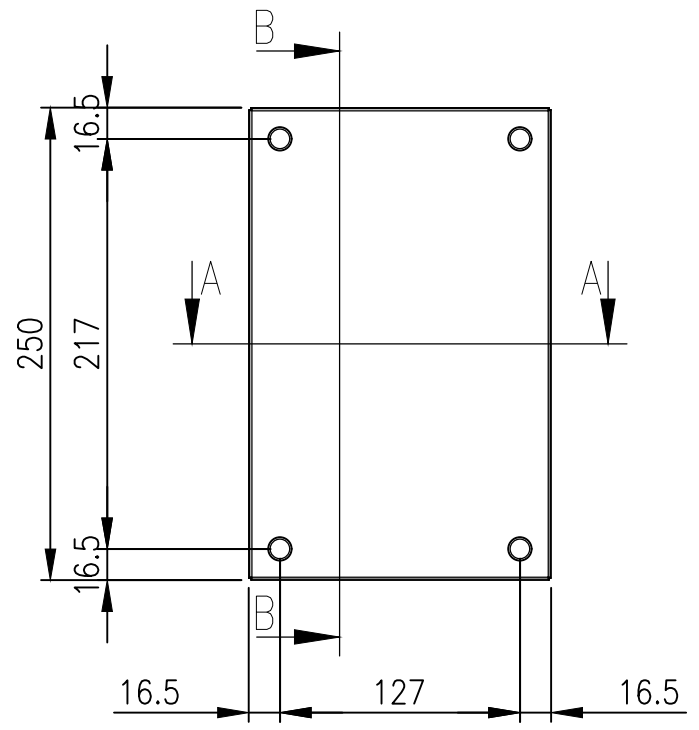
M5x15 THREADED BOLT (x1)



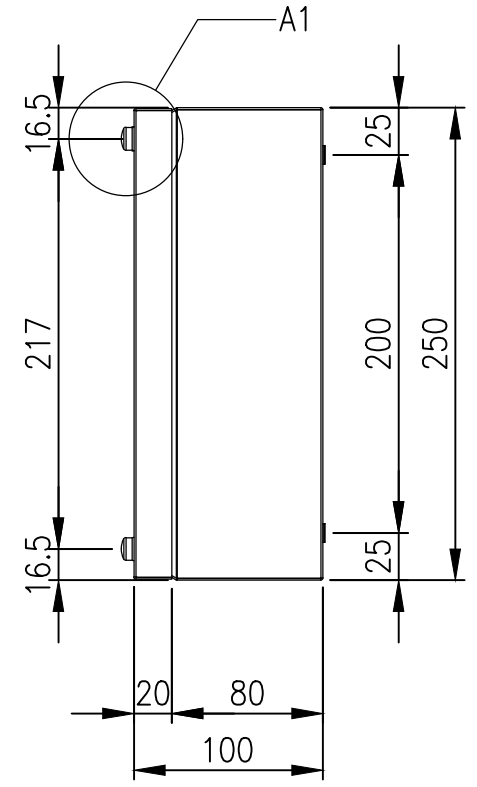
SECTION B-B



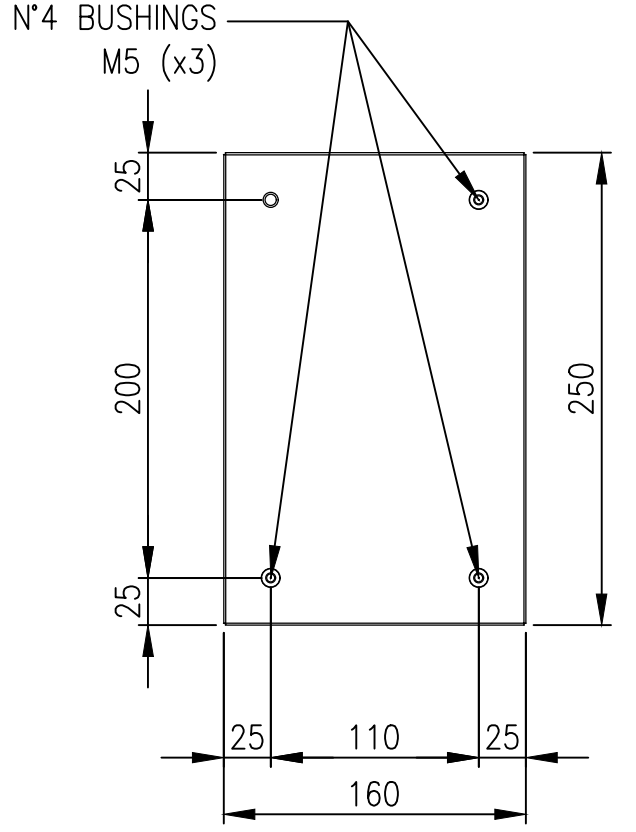
LEFT SIDE VIEW



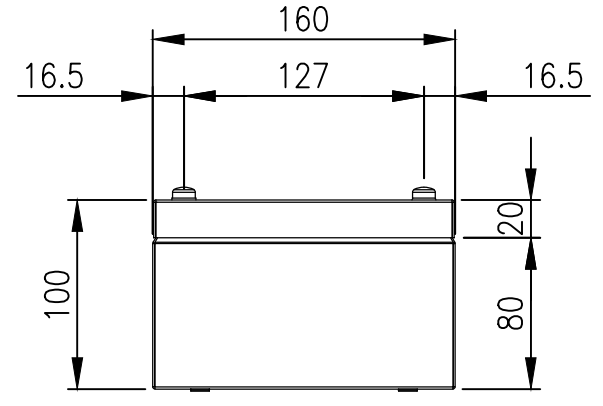
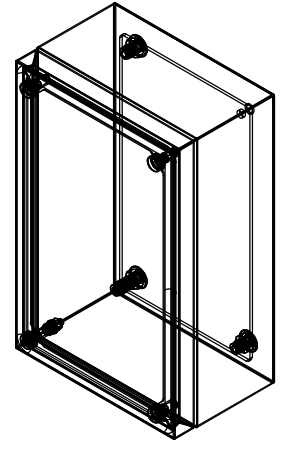
FRONT VIEW



RIGHT SIDE VIEW



REAR VIEW



BOTTOM VIEW

MATERIAL
 BODY: 1.0mm 304 STAINLESS STEEL
 DOOR: 1.0mm 304 STAINLESS STEEL
 SEAL: SILICONE

PROTECTION: IP66, IP67, NEMA4x,
 UL 508A

© IP ENCLOSURES 2022.
 THIS DRAWING SHALL NOT BE COPIED OR REPRODUCED
 WITHOUT AUTHORISATION FROM IP ENCLOSURES.
 www.ipenclosures.com.au

Itemref	Quantity	Title/Name, designation, material, dimension etc	Article No./Reference
IP	1	250x160x100 304SS TERMINAL BOX	IP-304-T251610
Designed by	Checked by	Approved by - date	Filename
IP	IP	23/05/22	IP-304-T251610
Date	Scale	Edition	
23/05/22	1:4	0	
Sheet			1/1