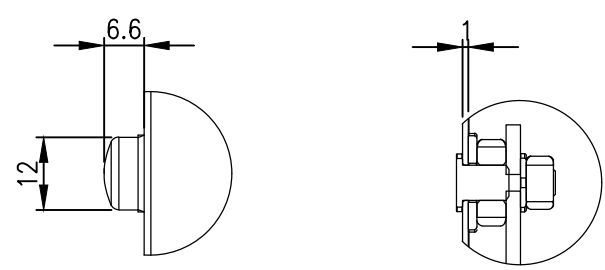
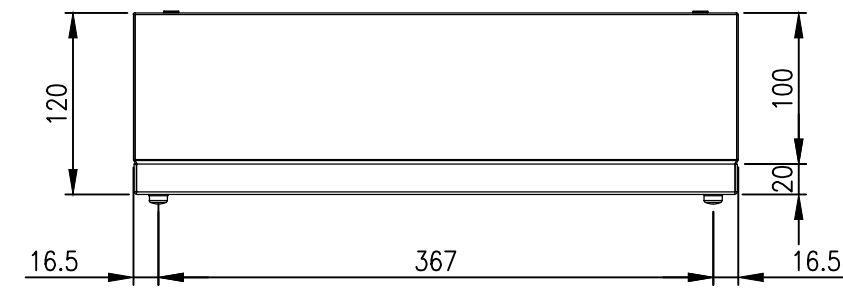


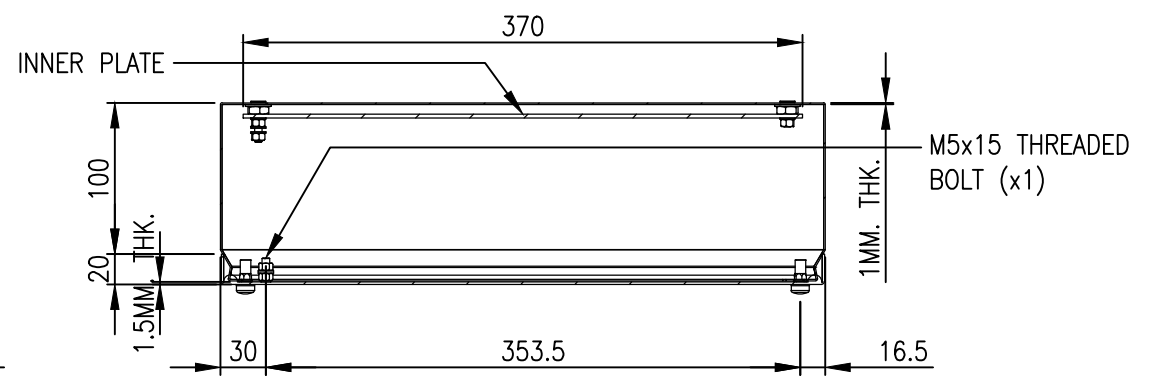
RevNo	Revision note	Date	Signature	Checked
0	GENERAL REVISION		IP	IP



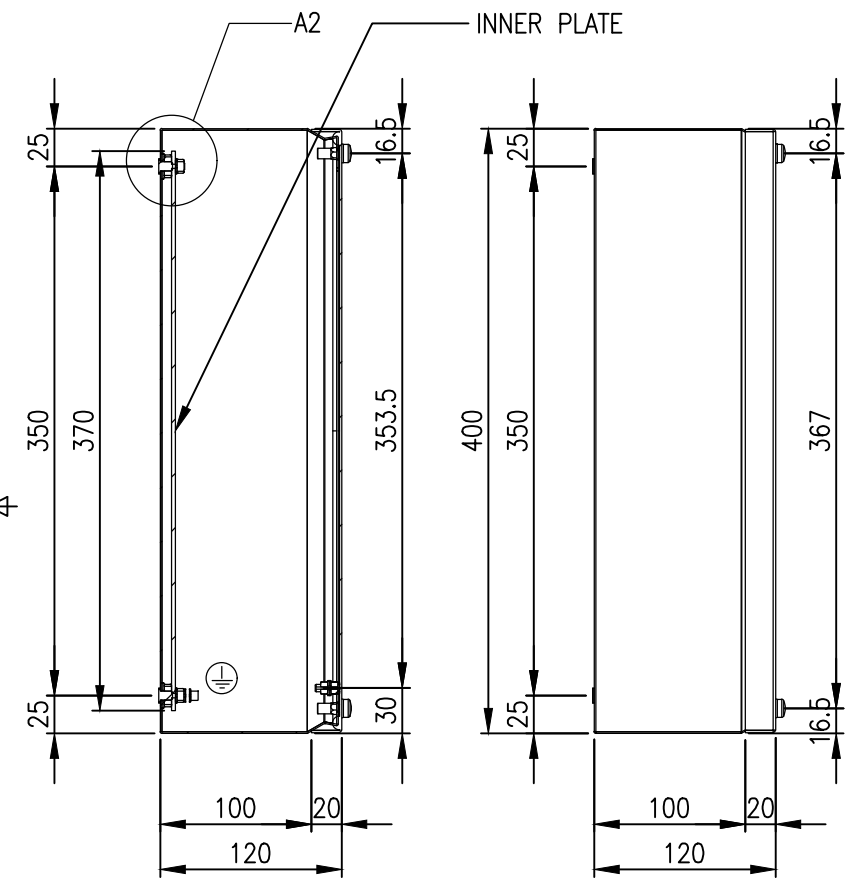
DETAIL A1 DETAIL A2



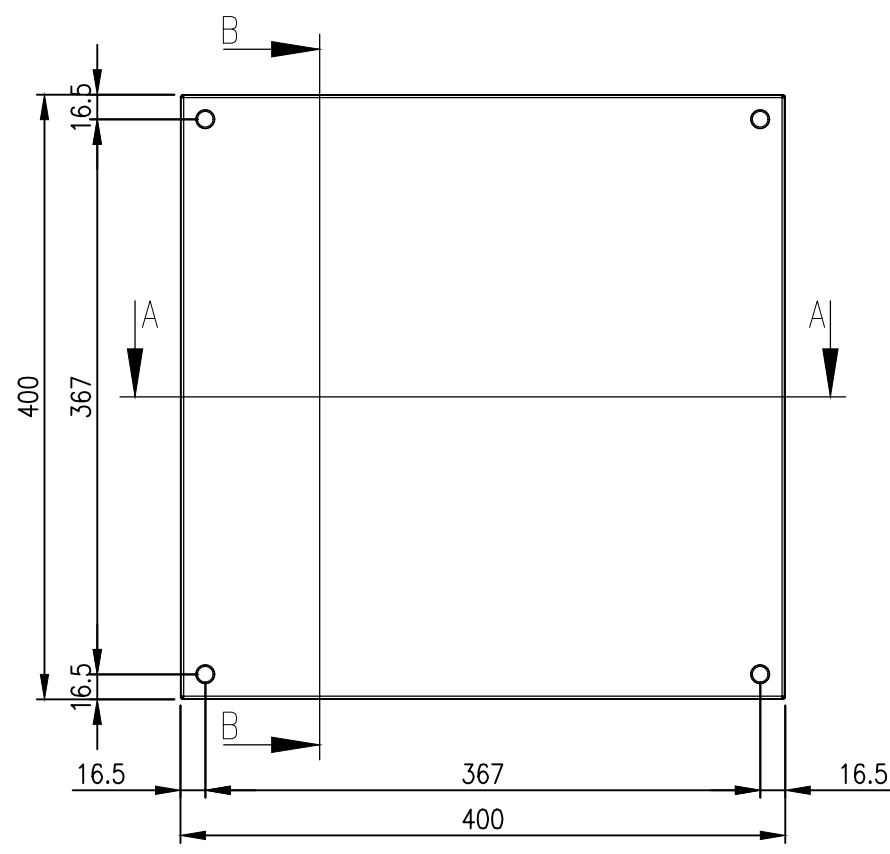
TOP VIEW



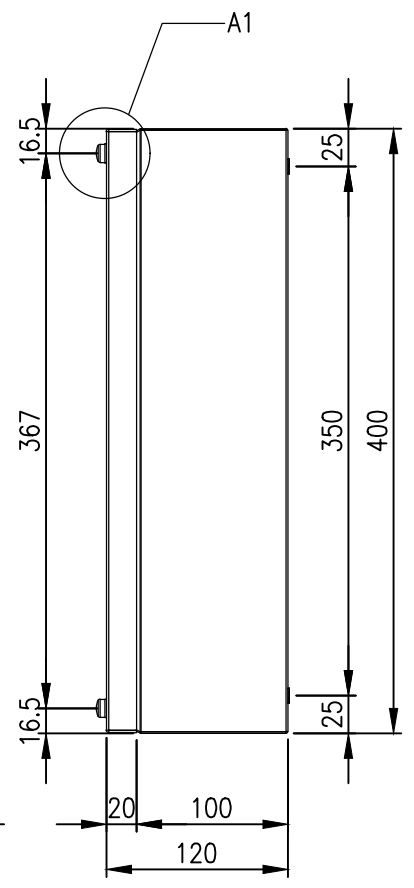
SECTION A-A



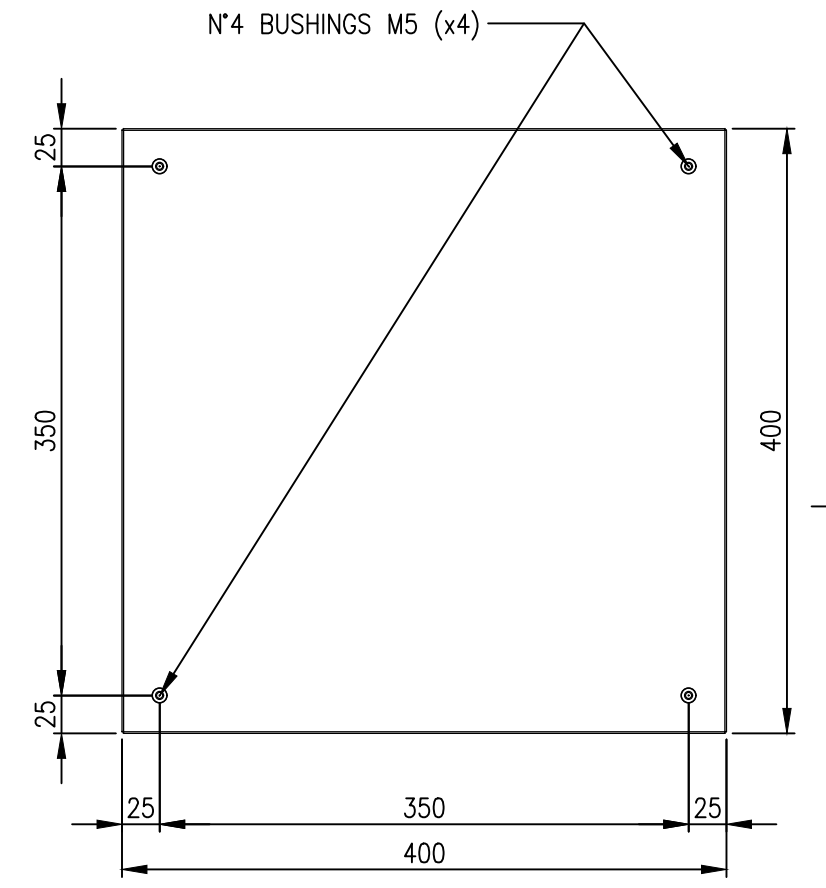
SECTION B-B LEFT SIDE VIEW



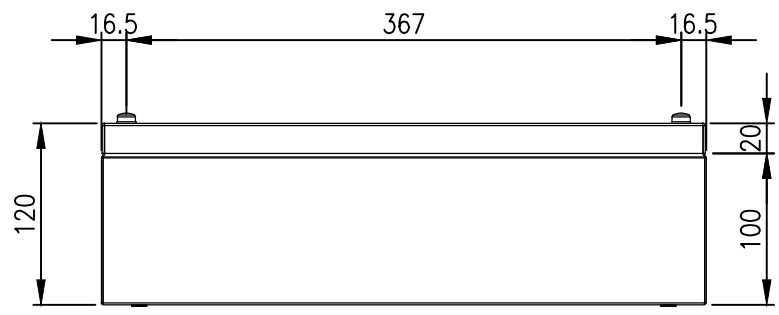
FRONT VIEW



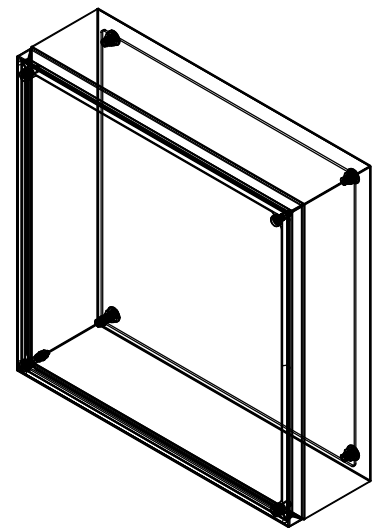
RIGHT SIDE VIEW



REAR VIEW



BOTTOM VIEW



MATERIAL
 BODY: 1.0mm 304 STAINLESS STEEL
 DOOR: 1.0mm 304 STAINLESS STEEL
 SEAL: SILICONE

PROTECTION: IP66, IP67, NEMA4x,
 UL 508A

© IP ENCLOSURES 2022.
 THIS DRAWING SHALL NOT BE COPIED OR REPRODUCED
 WITHOUT AUTHORISATION FROM IP ENCLOSURES.
 www.ipenclosures.com.au

Itemref	Quantity	Title/Name, designation, material, dimension etc	Article No./Reference
IP	1	400x400x120 304SS TERMINAL BOX	IP-304-T404012
Designed by	Checked by	Approved by - date	Filename
IP	IP	25/05/22	IP-304-T404012
Date	Scale	Edition	Sheet
25/05/22	1:5	0	1/1