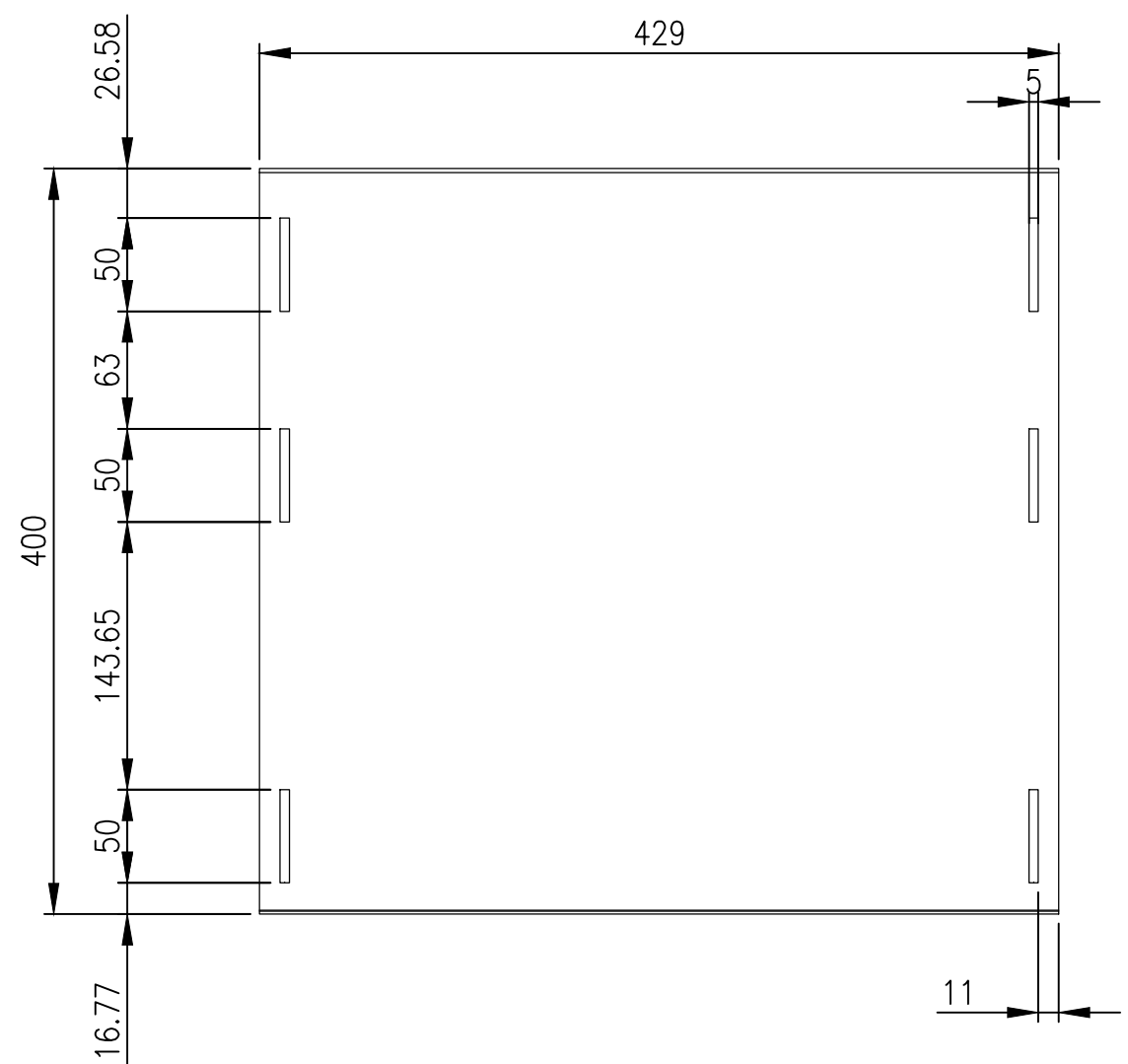
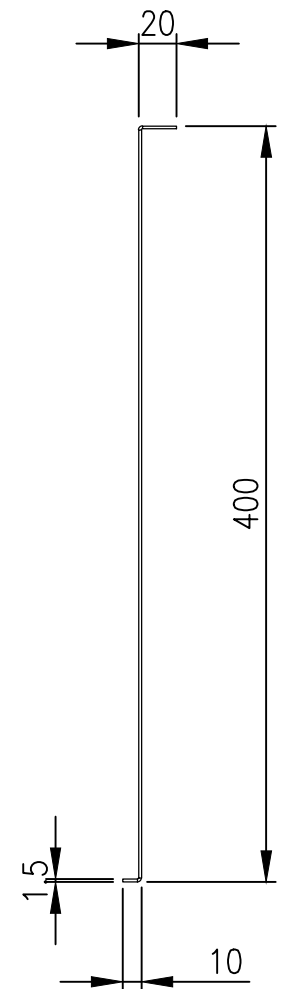


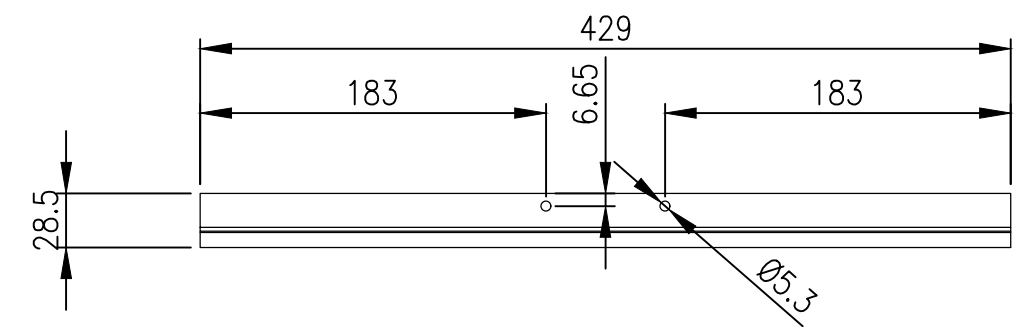
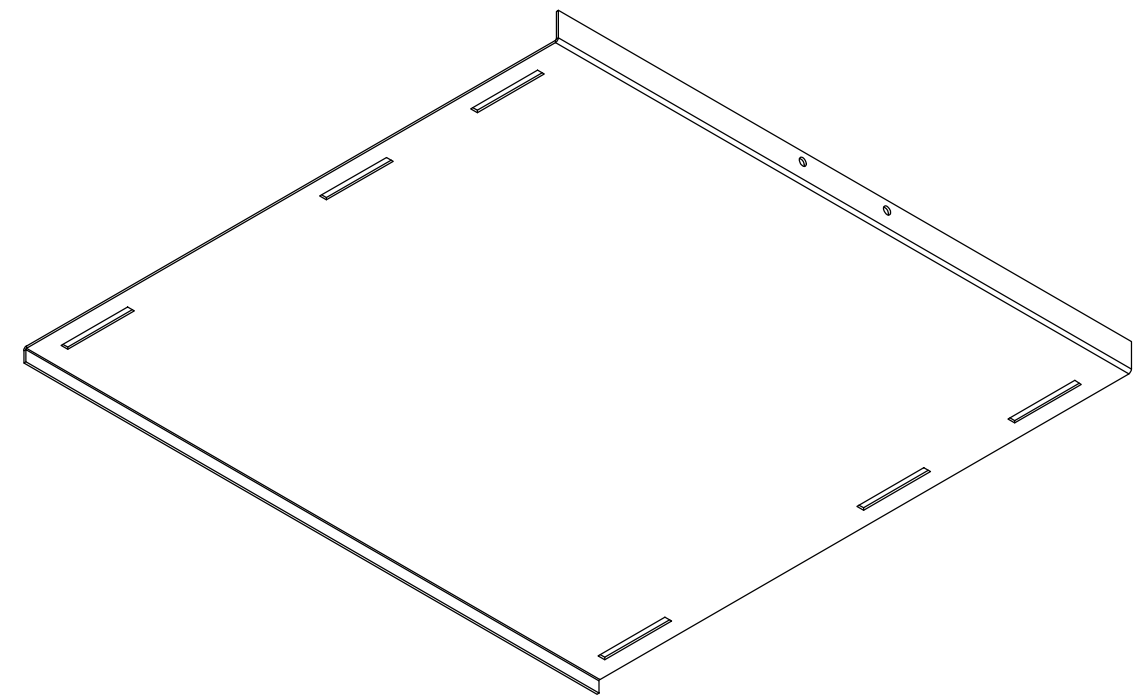
RevNo	Revision note	Date	Signature	Checked
1	GENERAL REVISION	31/05/24	IP	IP



TOP VIEW



SIDE VIEW



FRONT VIEW

**MATERIAL**  
 BODY: 1.5mm GALVANISED STEEL SHEET  
 SURFACE TREATMENT: POWDER-COAT 80-120micron  
 COLOUR: RAL 9005

SHELF RATING: 25 Kg.

**STANDARD:** COMPATIBLE WITH 19" RACKS  
 EIA-310-D, RoHS

© IP ENCLOSURES 2023.  
 THIS DRAWING SHALL NOT BE COPIED OR REPRODUCED  
 WITHOUT AUTHORISATION FROM IP ENCLOSURES.  
 www.ipenclosures.com.au

Itemref	Quantity	Title/Name, designation, material, dimension etc	Article No./Reference
Designed by IP	Checked by IP	Approved by - date 02/11/23	Filename IP-RCHF140
		Date 02/11/23	Scale 1:4
			1RU 19" SLIDING SHELVES
IP-RCHF140			Edition 1
			Sheet 1/1