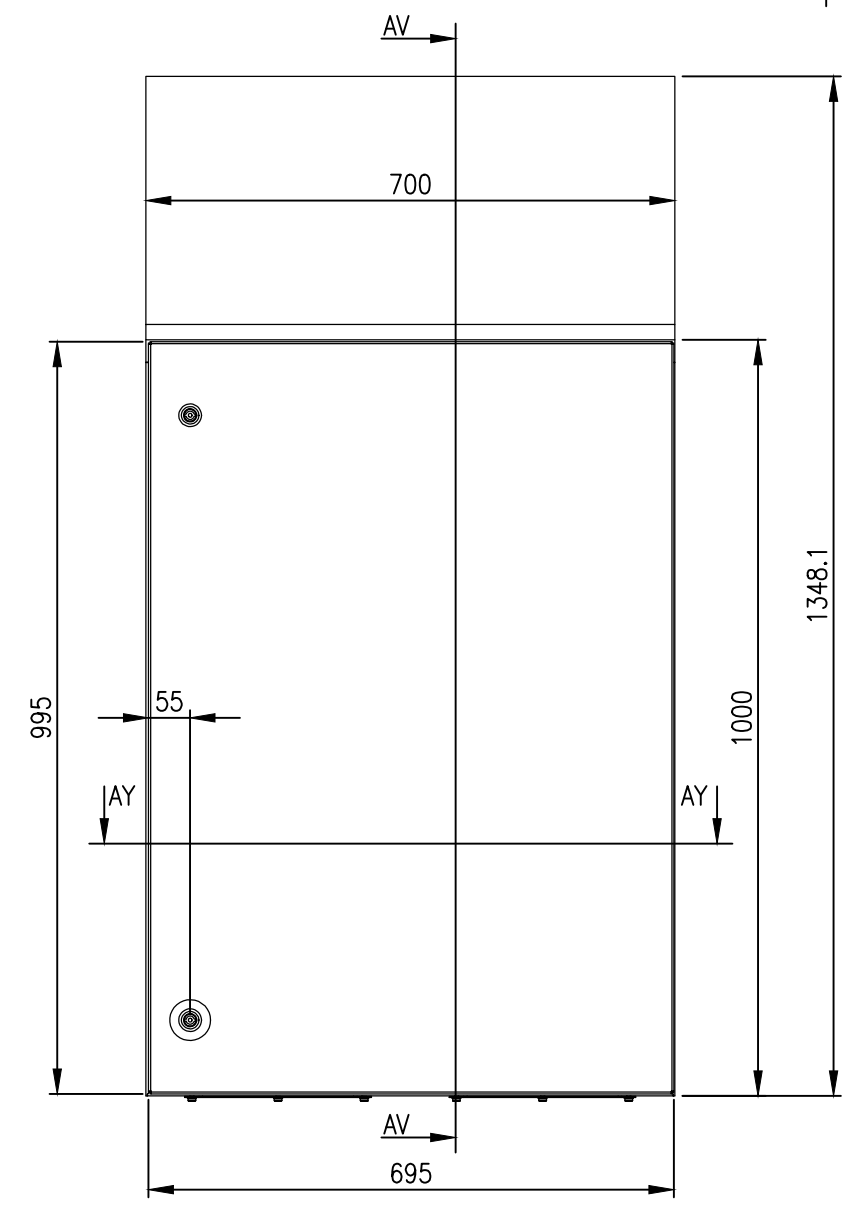
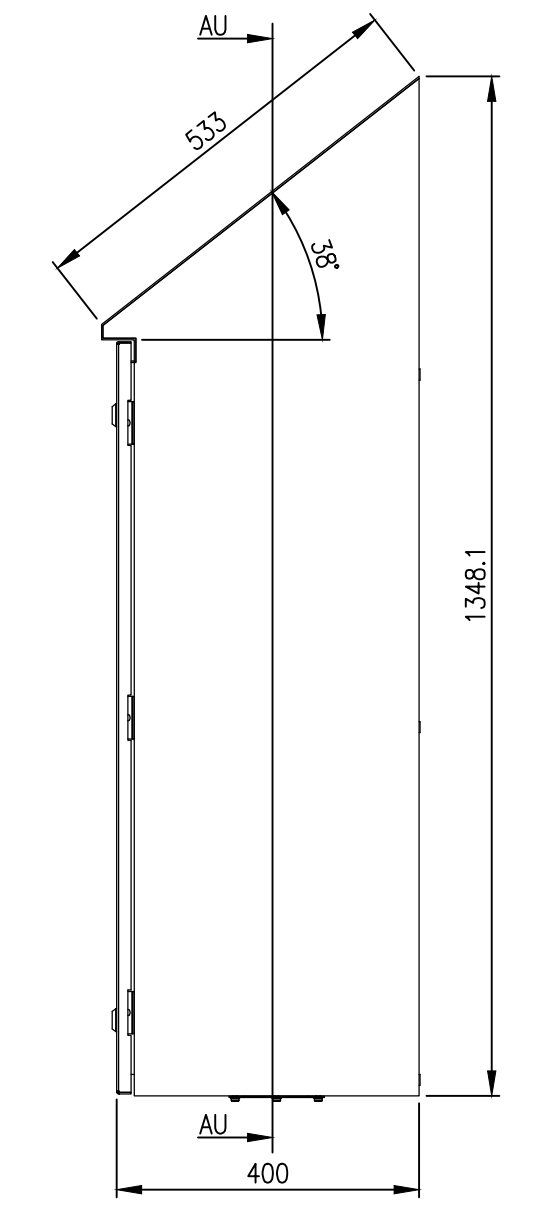


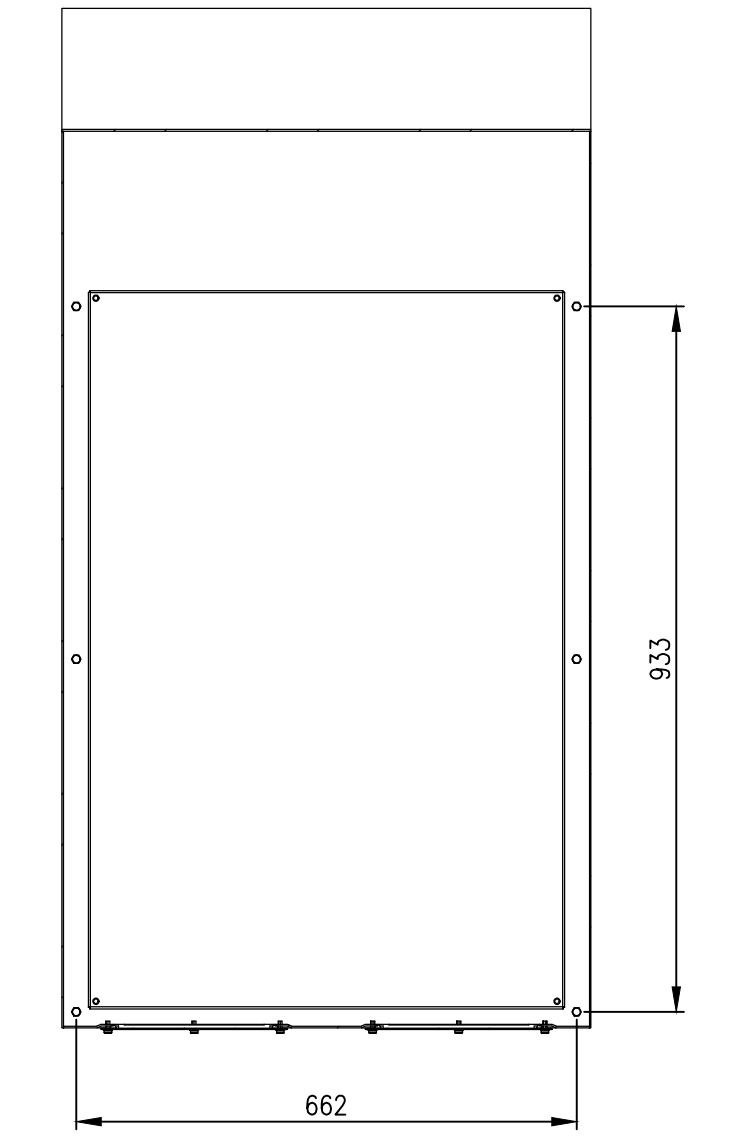
SECTION AV-AV



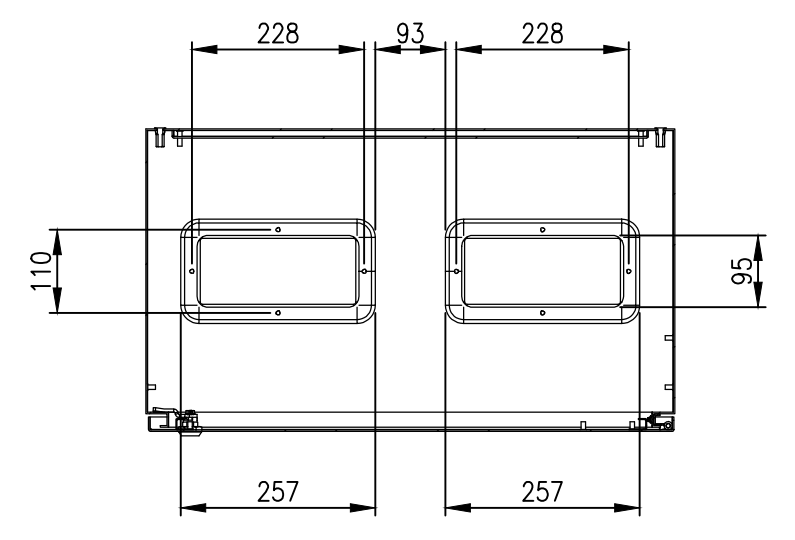
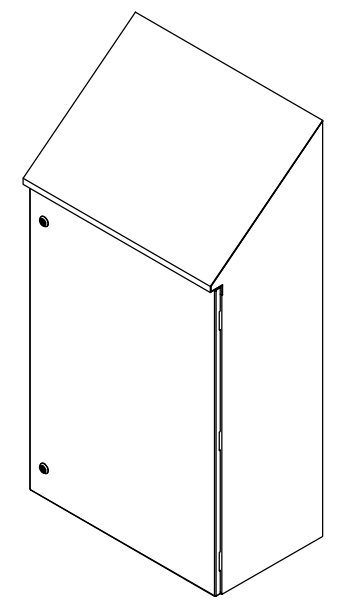
FRONT VIEW



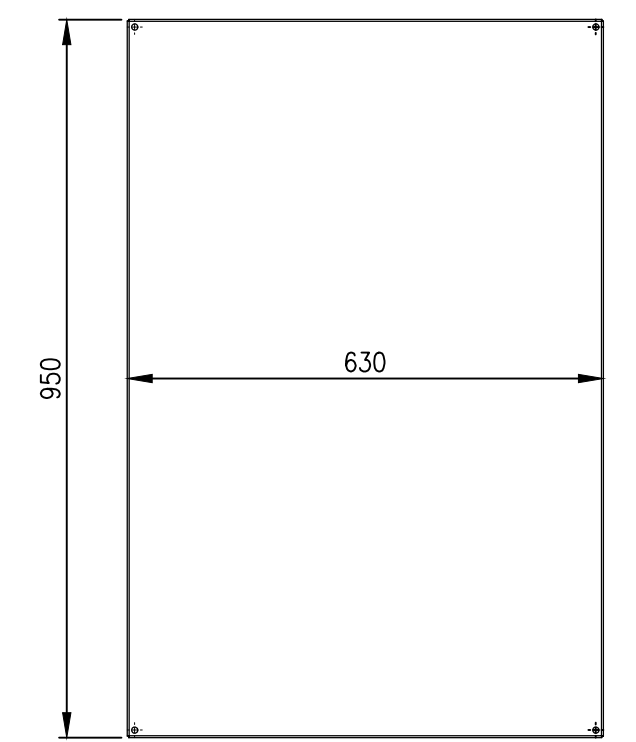
RIGHT SIDE VIEW



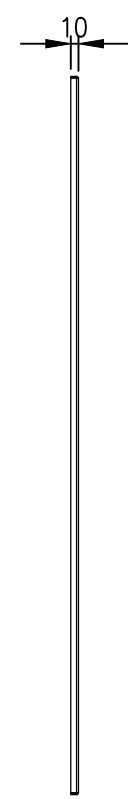
SECTION AU-AU



SECTION AY-AY



MOUNTING PLATE (PAINTED TO RAL9010)



**MATERIAL**  
 BODY: 2.0mm GALVANISED STEEL SHEET  
 DOOR: 2.0mm GALVANISED STEEL SHEET  
 MOUNTING PLATE: GALVANISED STEEL SHEET  
 GLAND PLATE: 2.0mm GALVANISED STEEL SHEET  
 SEAL: POLYURETHANE  
 COLOUR: RAL2000 ORANGE

PROTECTION: IP66 IK10, NEMA 4  
 STANDARD: IEC62208, IEC/EN/AS60529

© IP ENCLOSURES 2023.  
 THIS DRAWING SHALL NOT BE COPIED OR REPRODUCED WITHOUT  
 AUTHORISATION FROM IP ENCLOSURES.  
 www.ipenclosures.com.au

Itemref	Quantity	Title/Name, designation, material, dimension etc	Article No./Reference
IP	1	1000x700x400 HD STEEL SLOPING ROOF ENCLOSURE	IP-SSR1007040-HD-OR
IP	1	MOUNTING PLATE (PAINTED TO RAL9010)	IP-SSR1007040-HD-OR

Designed by	Checked by	Approved by - date	Filename	Date	Scale
IP	IP	01/02/23	IP-SSR1007040-HD-OR	01/02/23	1:10

IP Enclosures		Edition	Sheet
1000x700x400 HD STEEL SLOPING ROOF ENCLOSURE		0	1/1