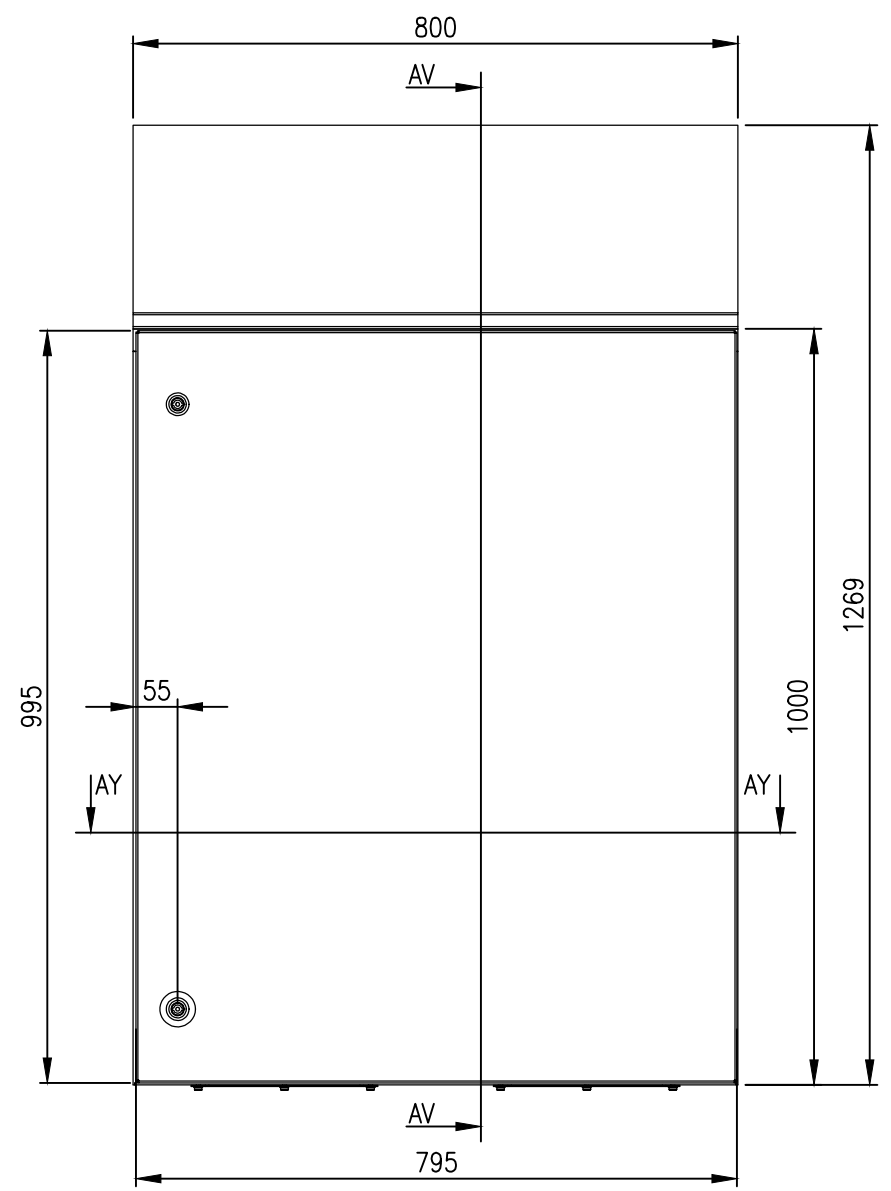
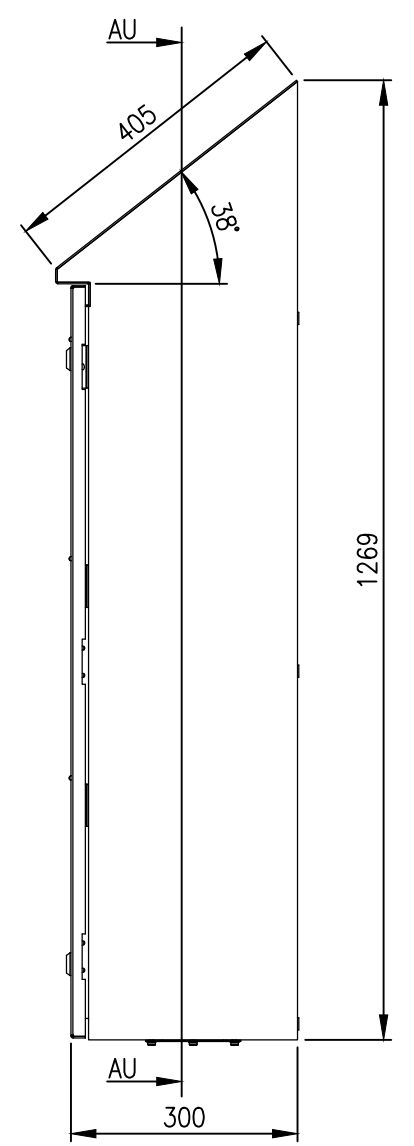


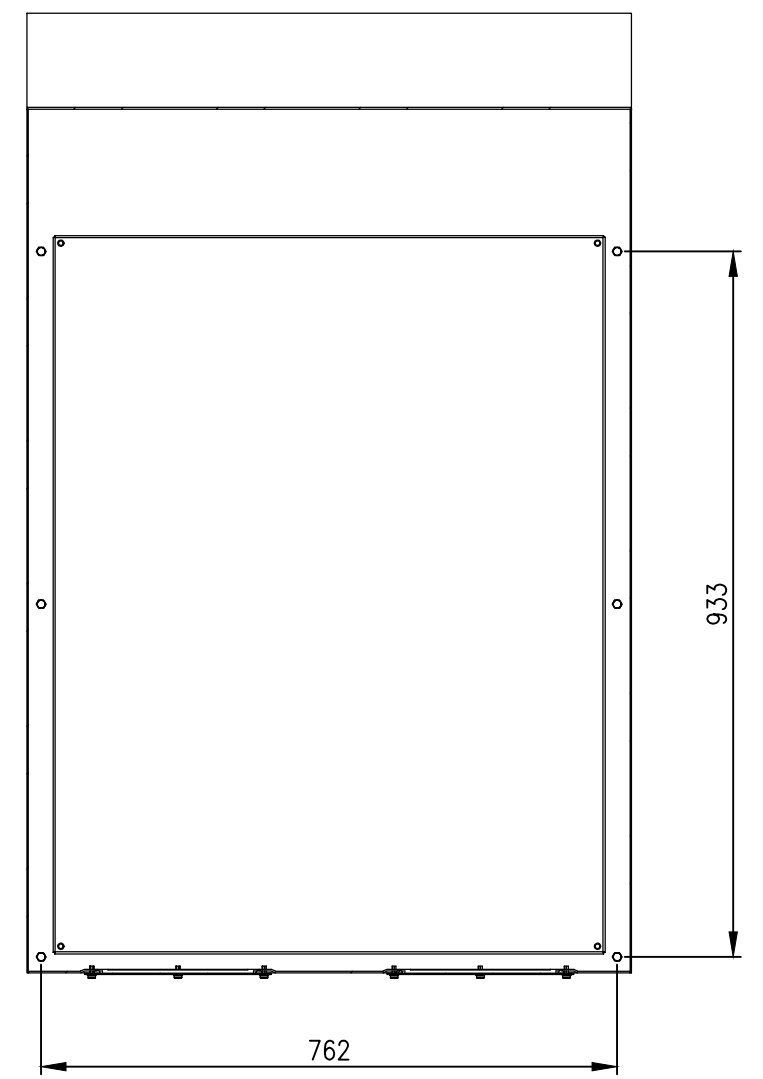
SECTION AV-AV



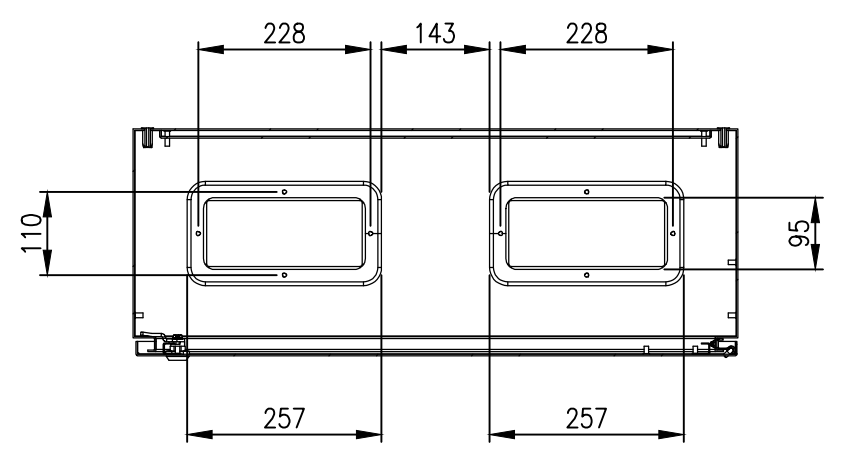
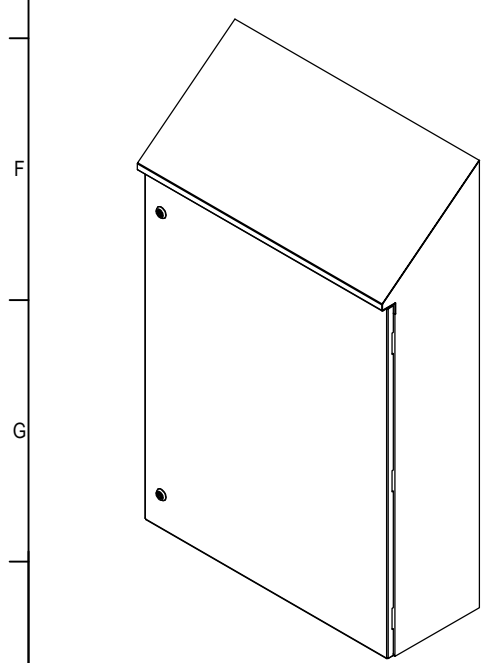
FRONT VIEW



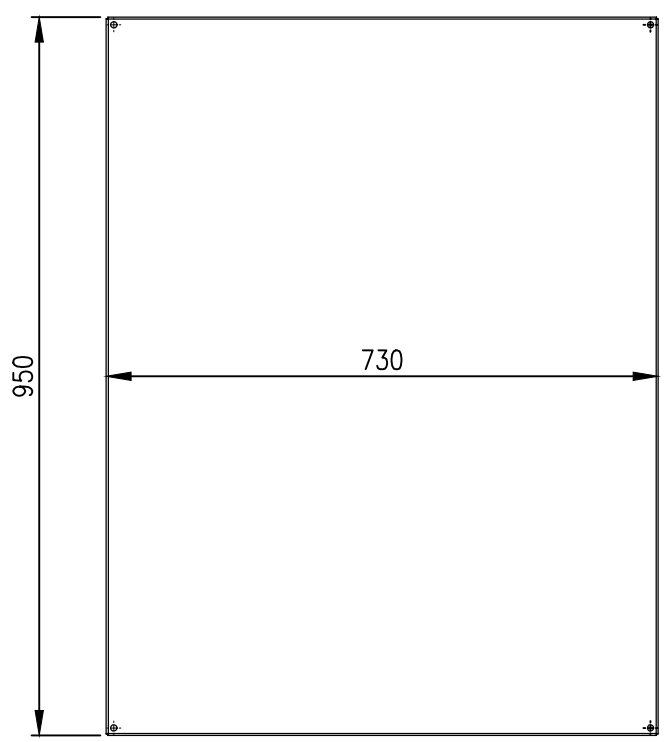
RIGHT SIDE VIEW



SECTION AU-AU



SECTION AY-AY



MOUNTING PLATE (PAINTED TO RAL9010)

MATERIAL
 BODY: 2.0mm GALVANISED STEEL SHEET
 DOOR: 2.0mm GALVANISED STEEL SHEET
 MOUNTING PLATE: GALVANISED STEEL SHEET
 GLAND PLATE: 2.0mm GALVANISED STEEL SHEET
 SEAL: POLYURETHANE
 COLOUR: RAL2000 ORANGE (SMOOTH FINISH)
 PROTECTION: IP66 IK10, NEMA 4
 STANDARD: IEC62208, IEC/EN/AS60529

© IP ENCLOSURES 2023.
 THIS DRAWING SHALL NOT BE COPIED OR REPRODUCED WITHOUT
 AUTHORISATION FROM IP ENCLOSURES.
 www.ipenclosures.com.au

Itemref	Quantity	Title/Name, designation, material, dimension etc	Article No./Reference
IP	1	1000x800x300 HD STEEL SLOPING ROOF ENCLOSURE	IP-SSR1008030-HD-OR
IP	1	MOUNTING PLATE (PAINTED TO RAL9010)	IP-SSR1008030-HD-OR

Designed by	Checked by	Approved by - date	Filename	Date	Scale
IP	IP	01/02/23	IP-SSR1008030-HD-OR	01/02/23	1:10

IP Enclosures	1000x800x300 HD STEEL SLOPING ROOF ENCLOSURE
IP-SSR1008030-HD-OR	Edition 0 Sheet 1/1