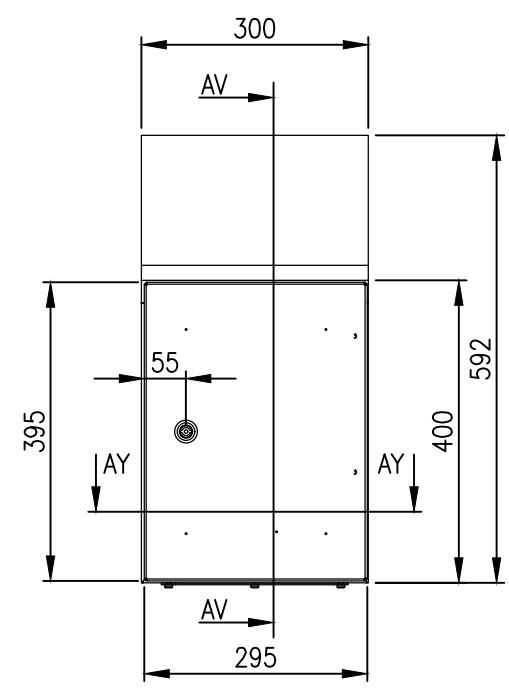
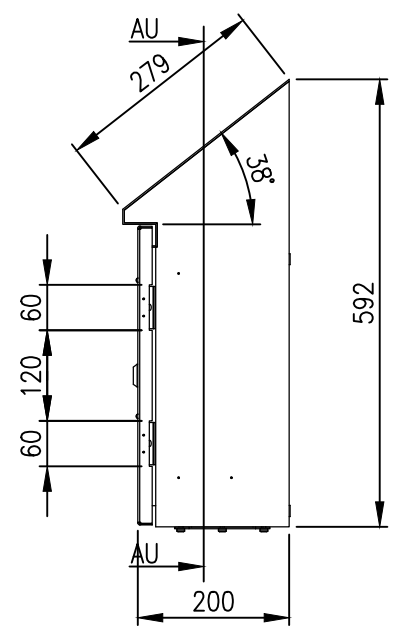


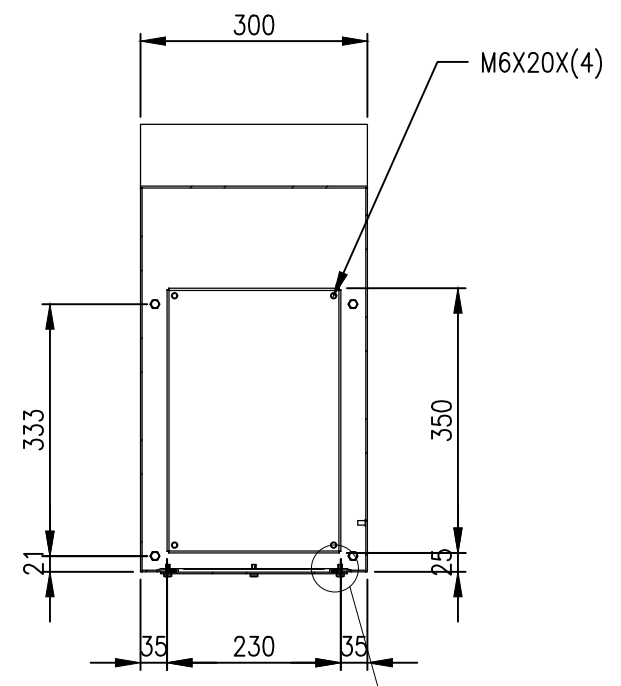
SECTION AV-AV



FRONT VIEW

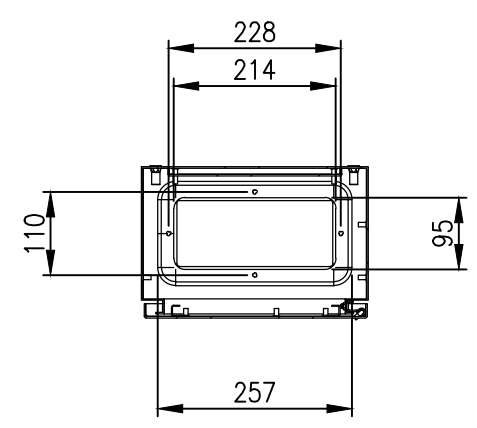
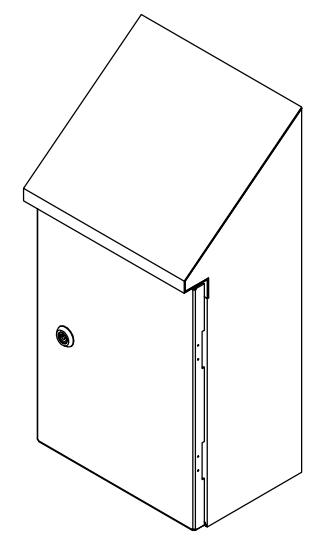


RIGHT SIDE VIEW

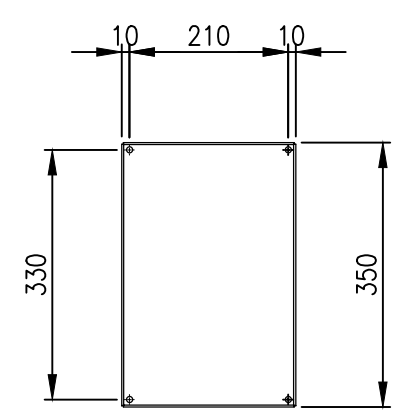


SECTION AU-AU

GASKET



SECTION AY-AY



MOUNTING PLATE
(PAINTED TO RAL9010)

MATERIAL
 BODY: 2.0mm GALVANISED STEEL SHEET
 DOOR: 2.0mm GALVANISED STEEL SHEET
 MOUNTING PLATE: GALVANISED STEEL SHEET
 GLAND PLATE: 2.0mm GALVANISED STEEL SHEET
 SEAL: POLYURETHANE

PROTECTION: IP66 IK10, NEMA 4
 STANDARD: IEC62208, IEC/EN/AS60529

© IP ENCLOSURES 2022.
 THIS DRAWING SHALL NOT BE COPIED OR REPRODUCED WITHOUT
 AUTHORISATION FROM IP ENCLOSURES.
 www.ipenclosures.com.au

| Itemref | Quantity | Title/Name, designation, material, dimension etc | Article No./Reference |
|-------------------|------------------|--|--------------------------------|
| Designed by IP | Checked by IP | Approved by - date 28/07/22 | Filename IP-SSR403020-HD-OR |
| | | Date 28/07/22 | Scale 1:10 |
| IP Enclosures | | 400x300x200 HD STEEL SLOPING ROOF ENCLOSURE | |
| | | IP-SSR403020-HD-OR | Edition 0 |
| | | | Sheet 1/1 |